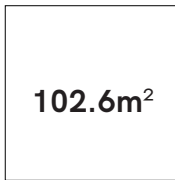
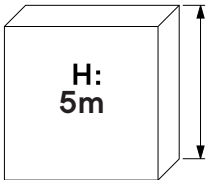
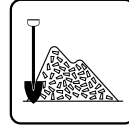
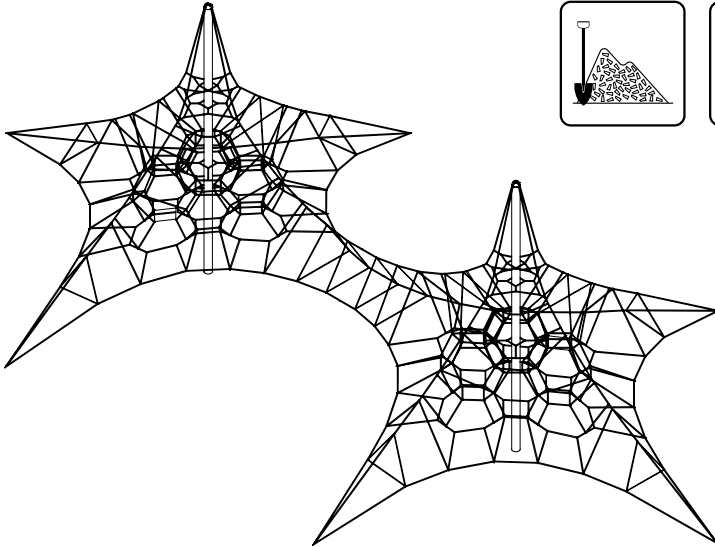




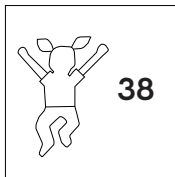
Twin ACTIVE 5000

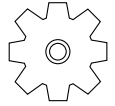
TAY-TWINACT500-LF-v2.2

EN1176-1:2017 | EN1176-11:2014




2-3	
4-6	
7	
8-11	
13-21	






x2

5328mm

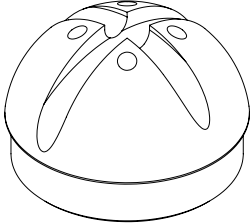


1 : Mast



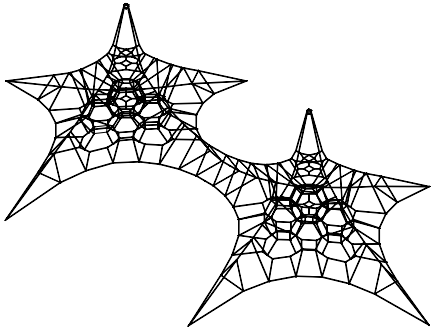
55kG

x2



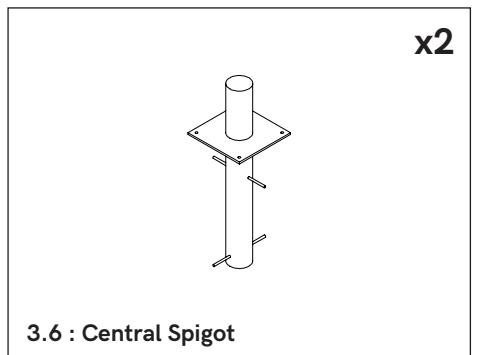
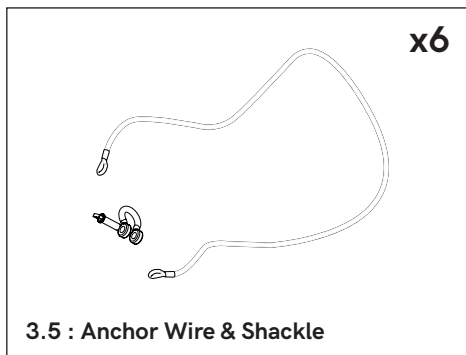
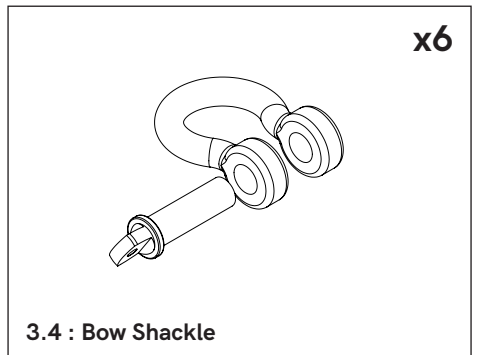
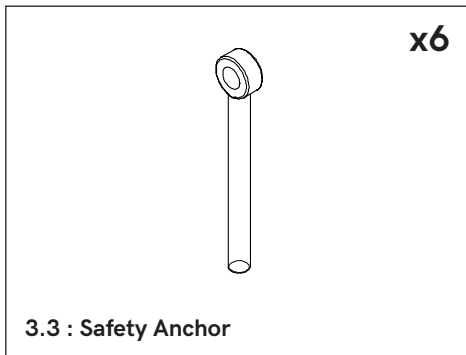
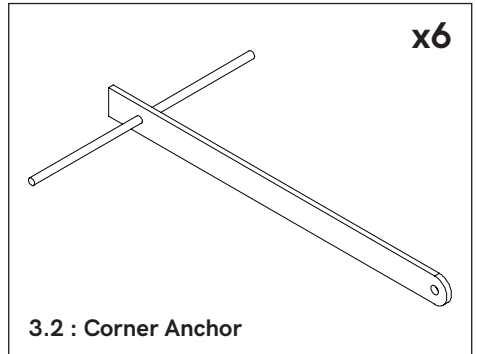
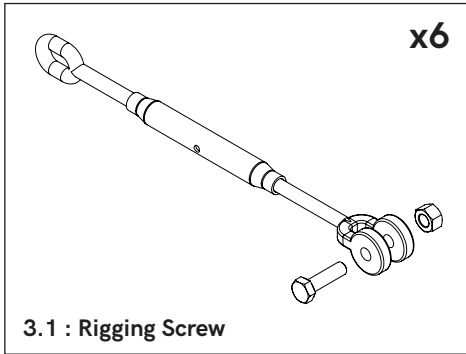
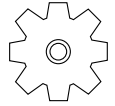
2.1 : Dome

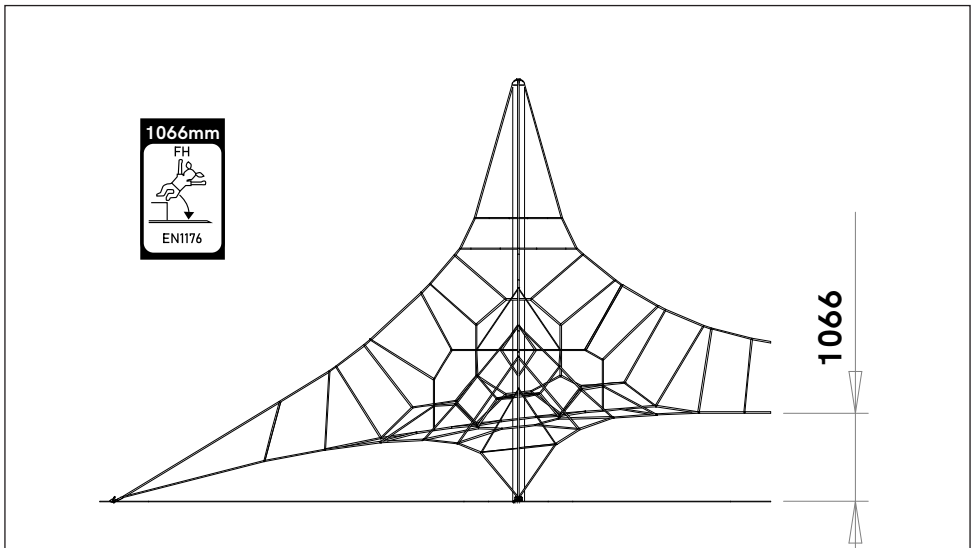
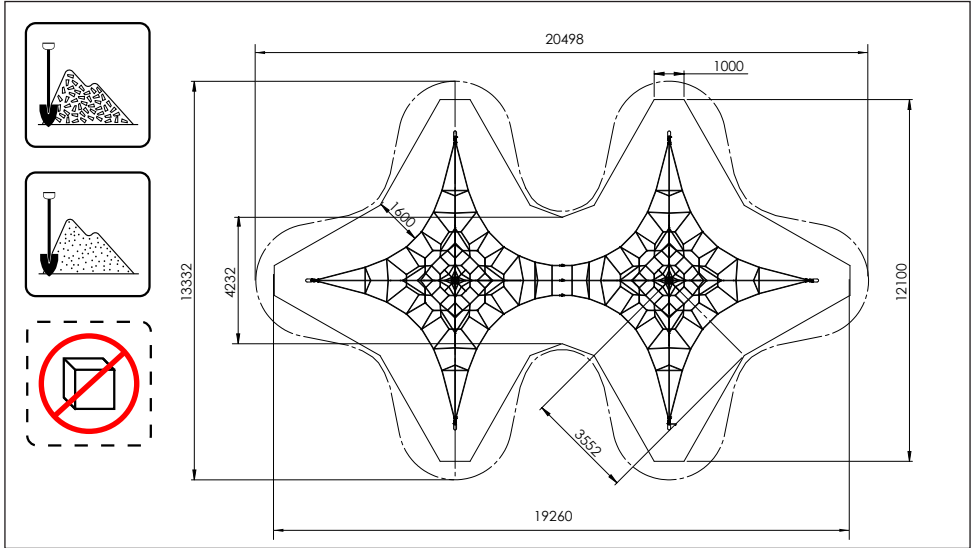
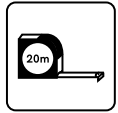
x1

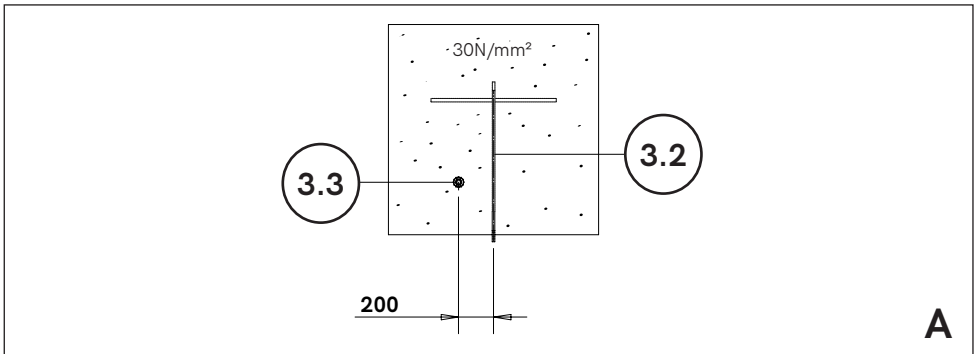
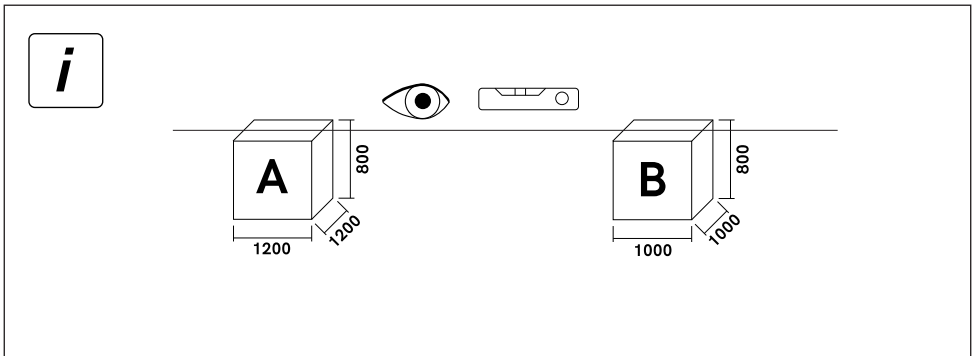
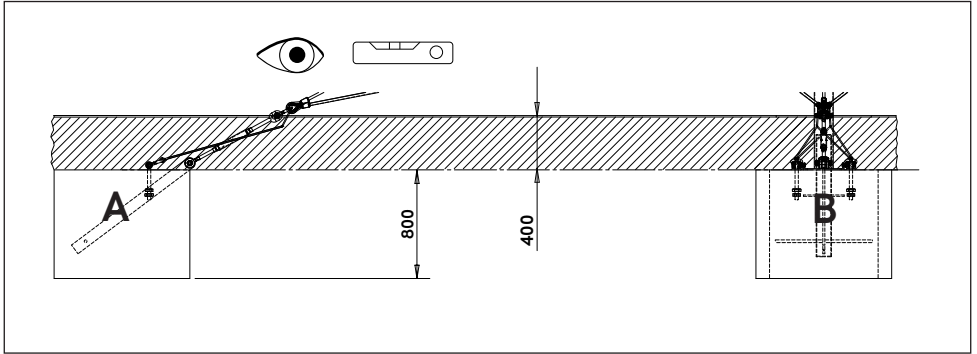


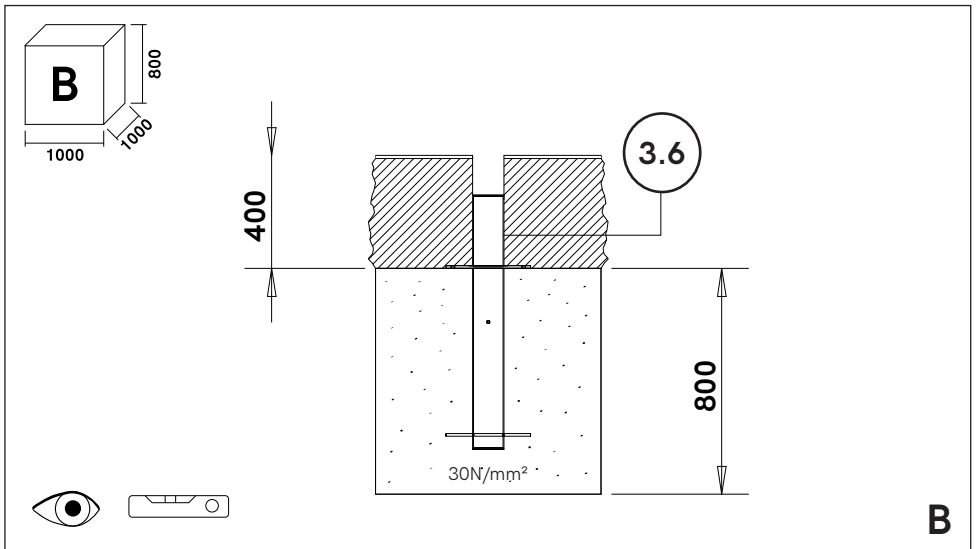
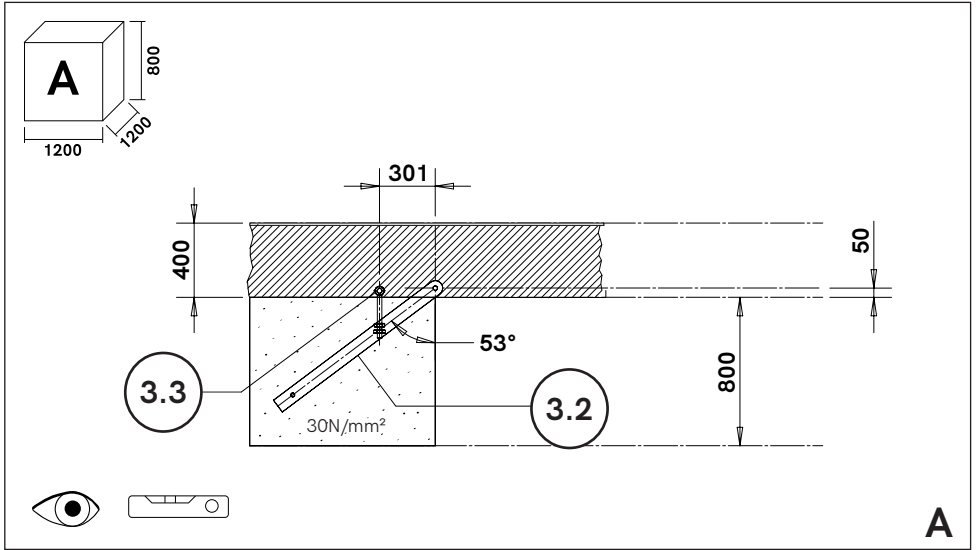
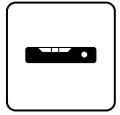
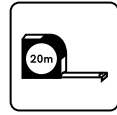
2.2 : Net



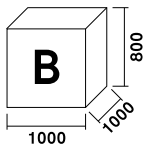
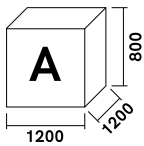
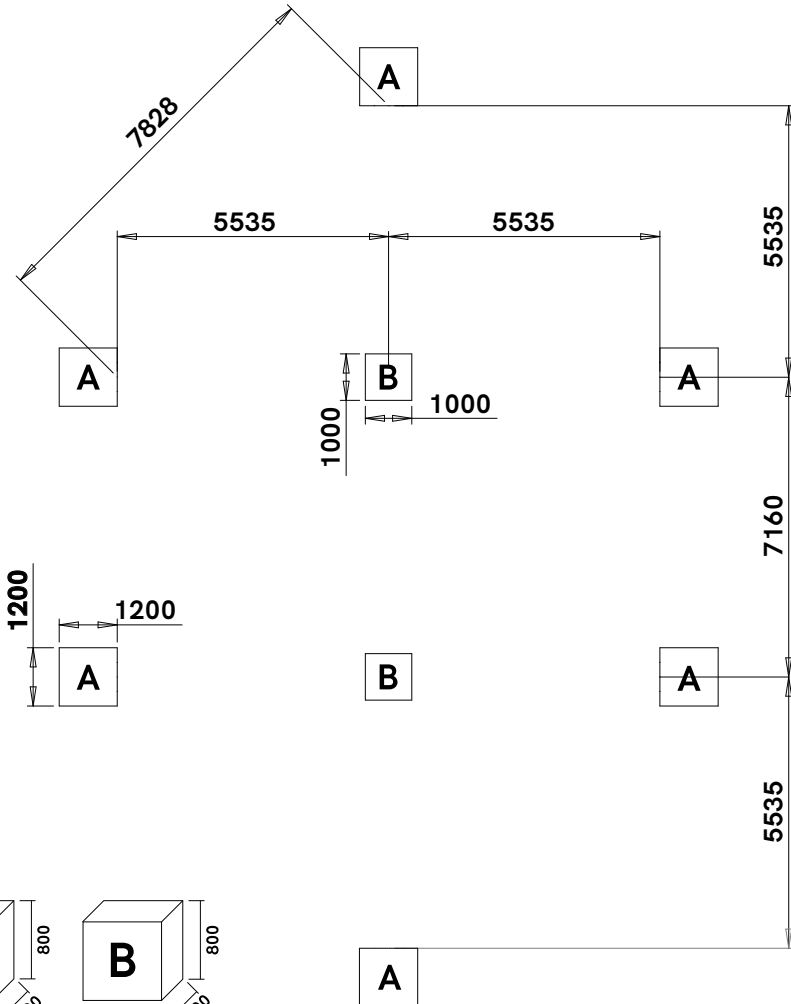
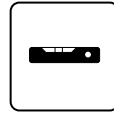
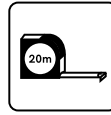




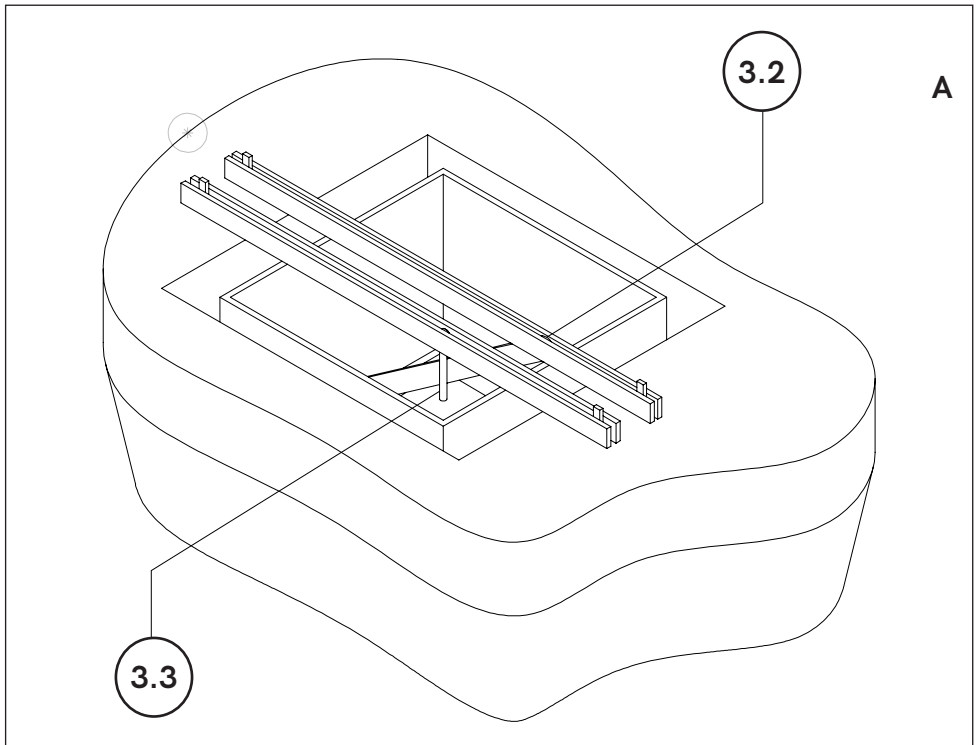
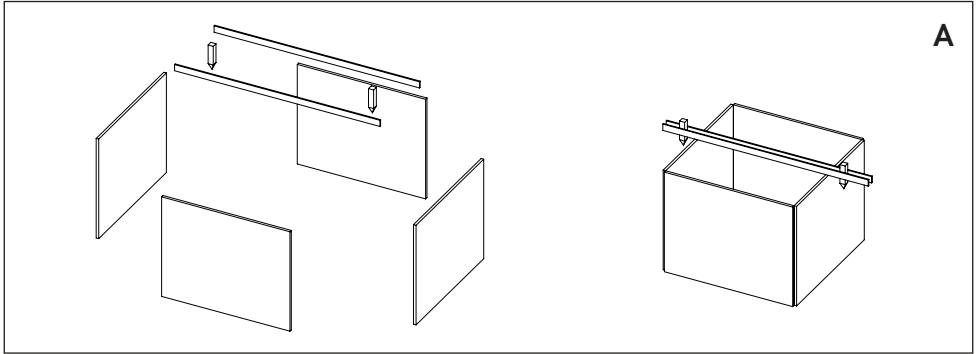
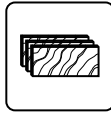
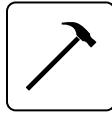
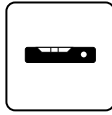




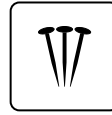
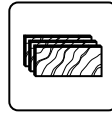
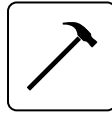
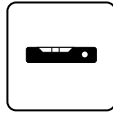
1



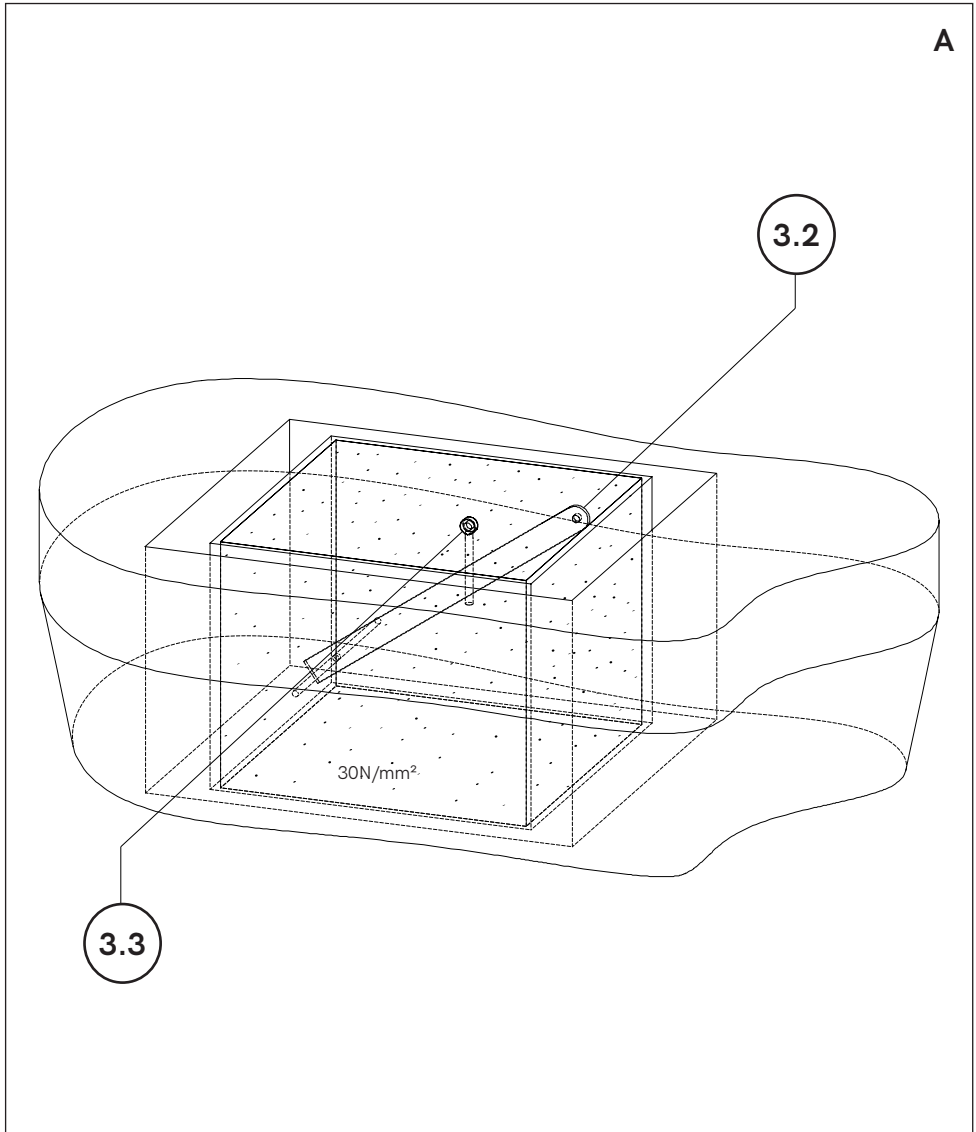
2



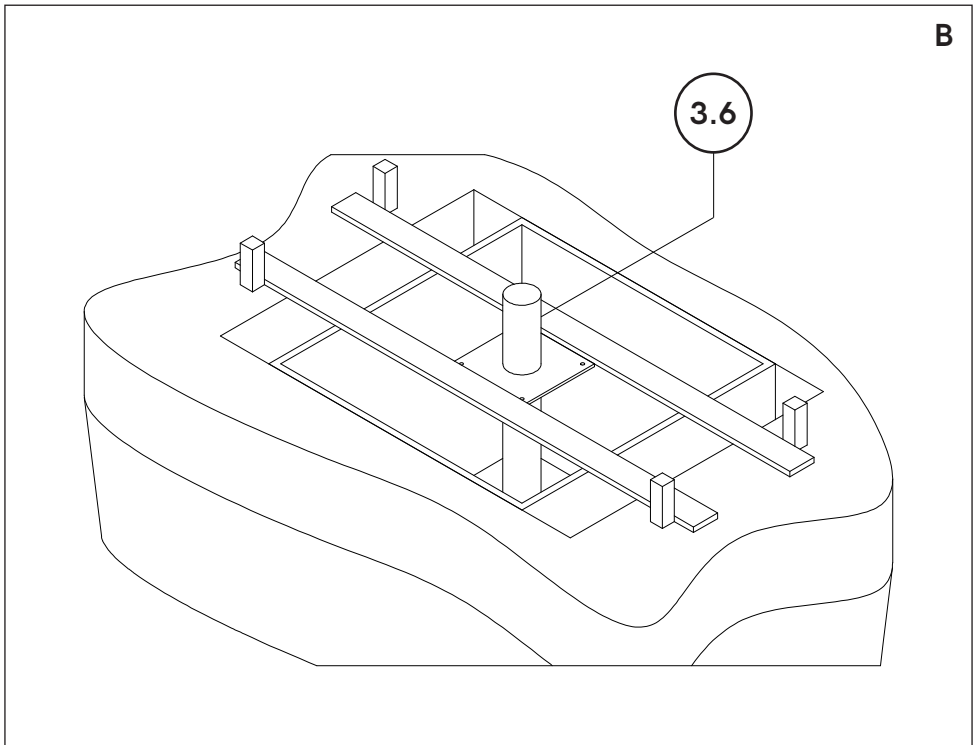
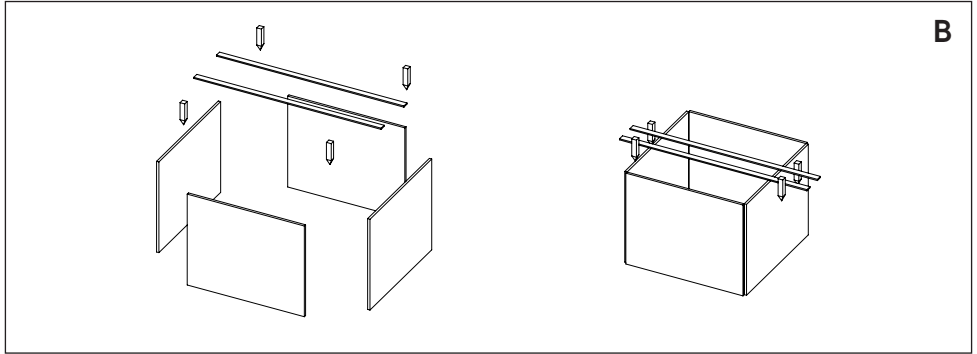
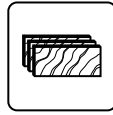
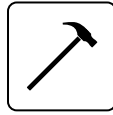
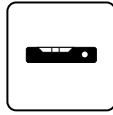
2



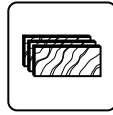
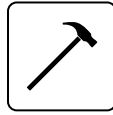
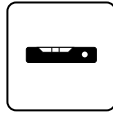
A



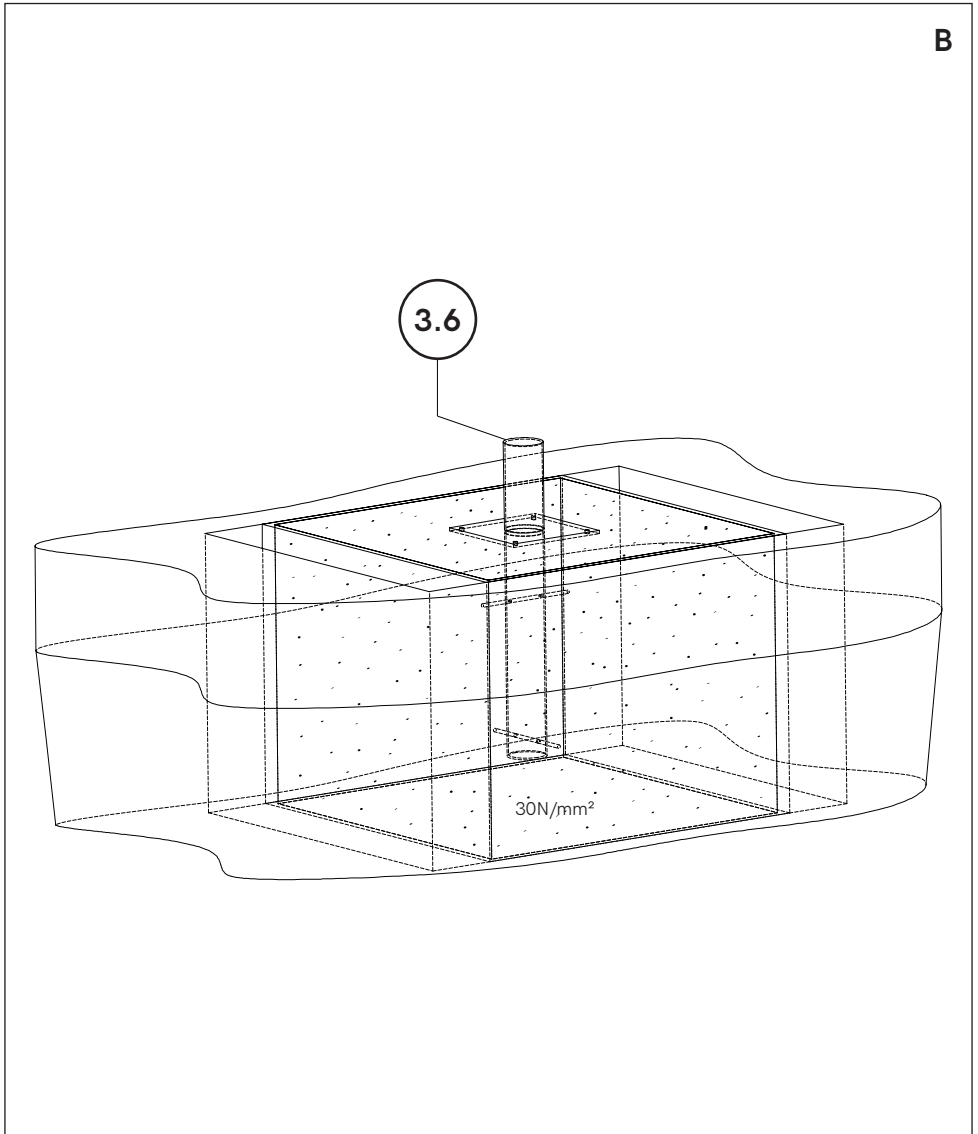
2



2

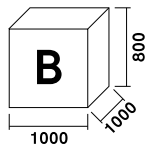
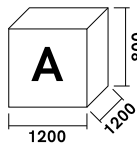
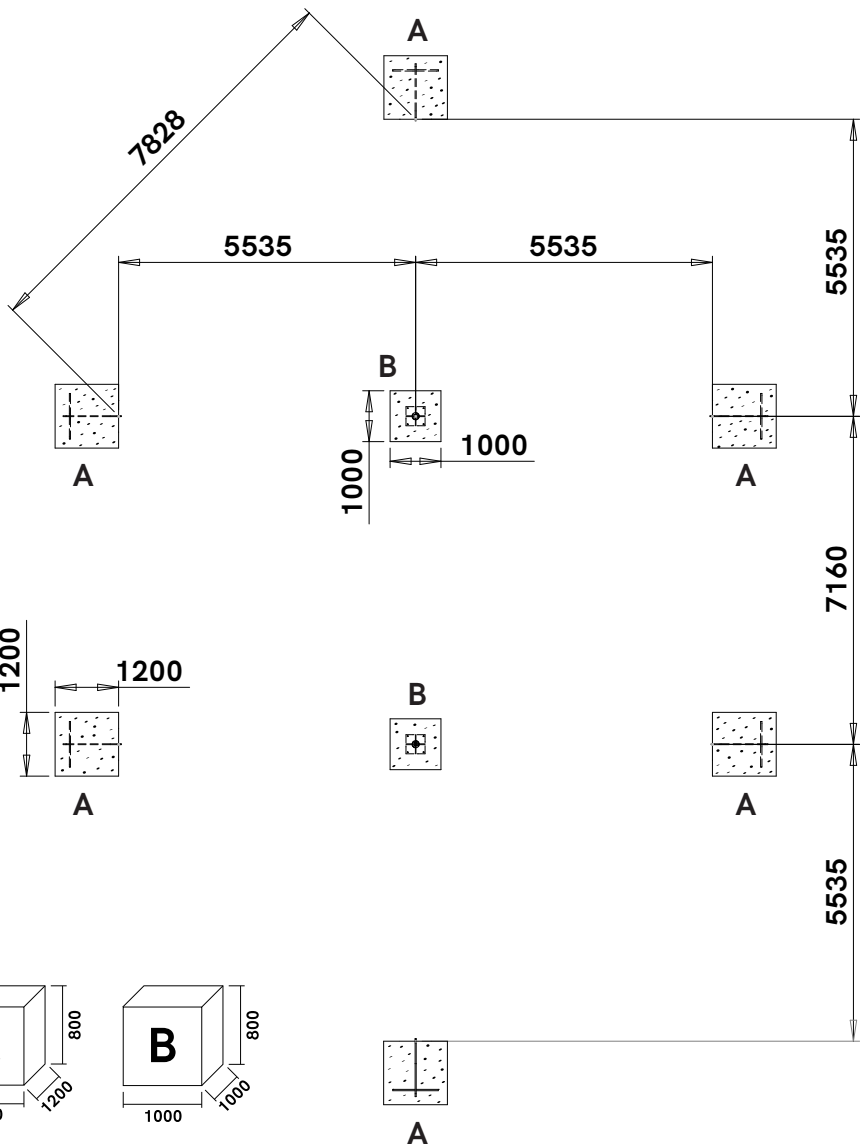


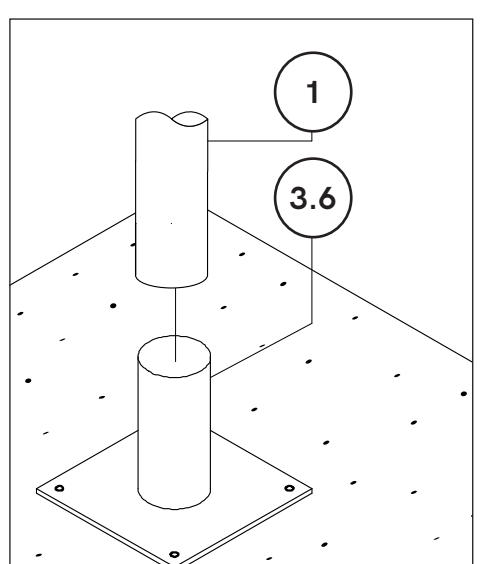
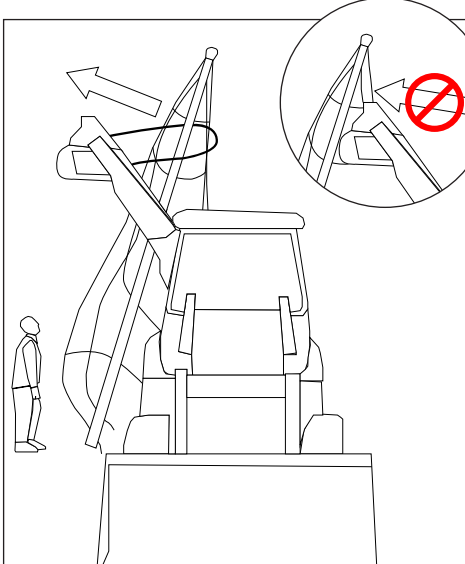
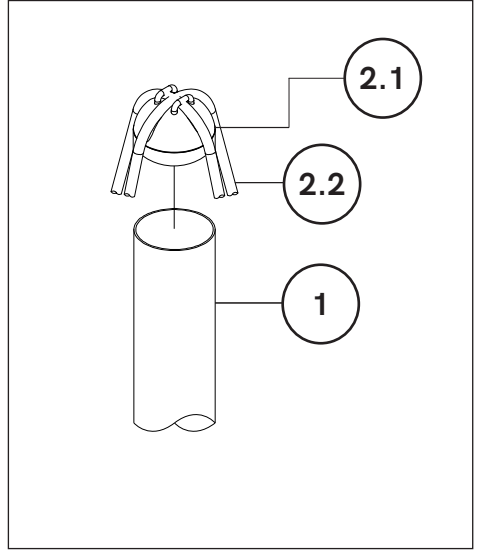
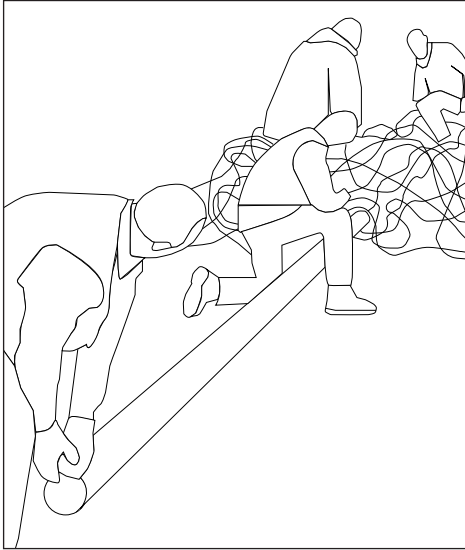
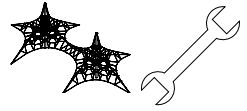
B

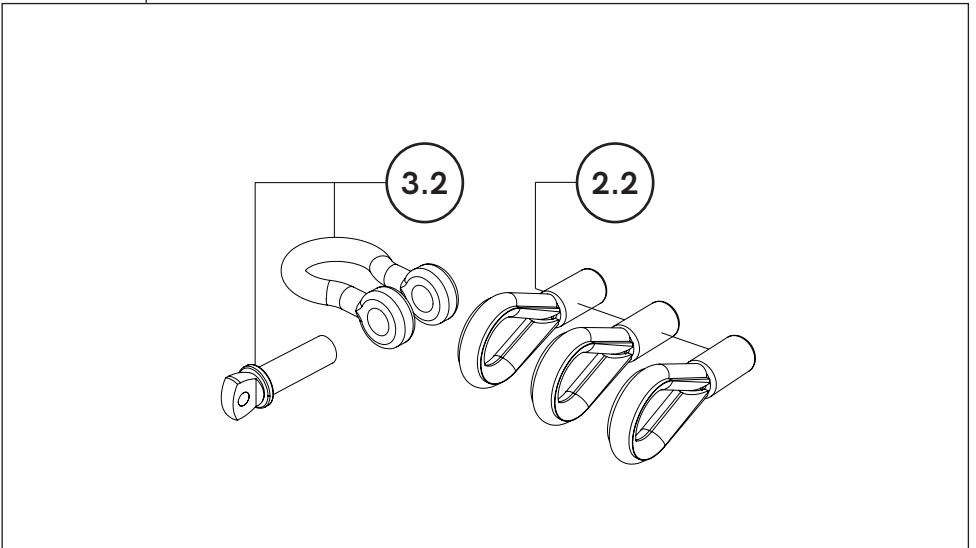
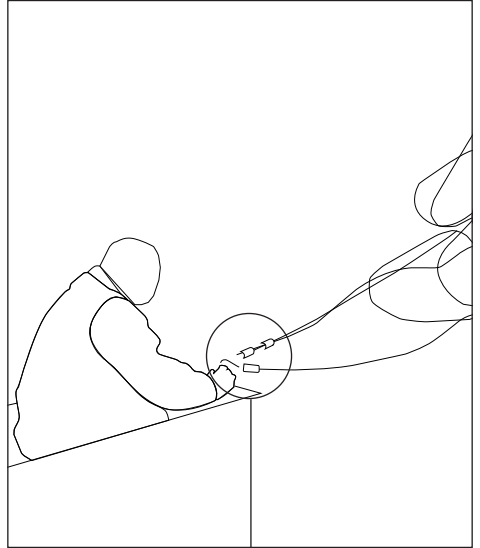
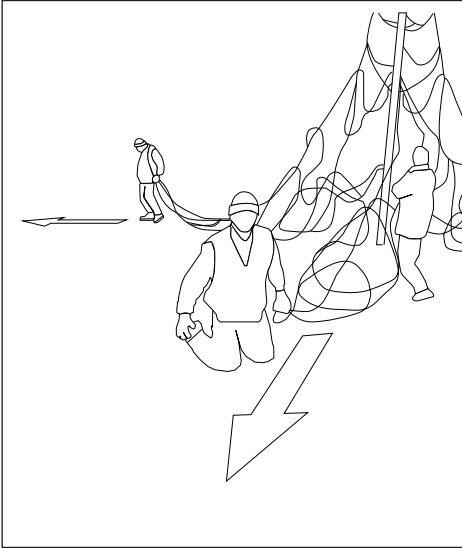
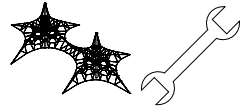


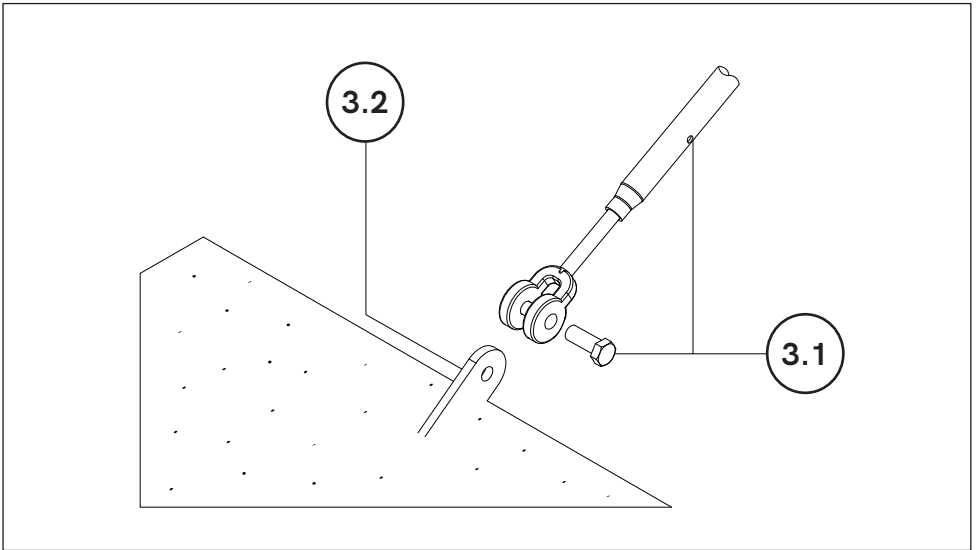
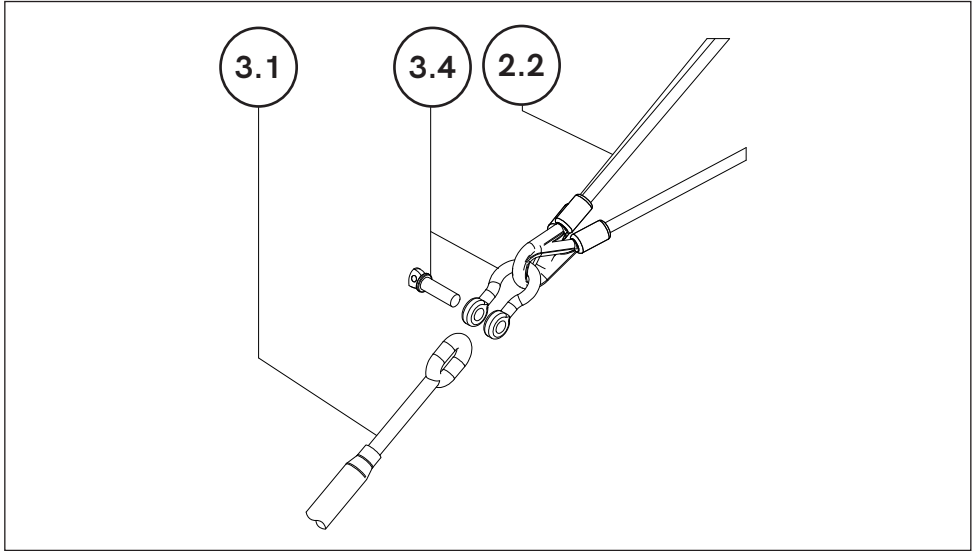
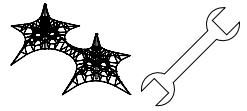


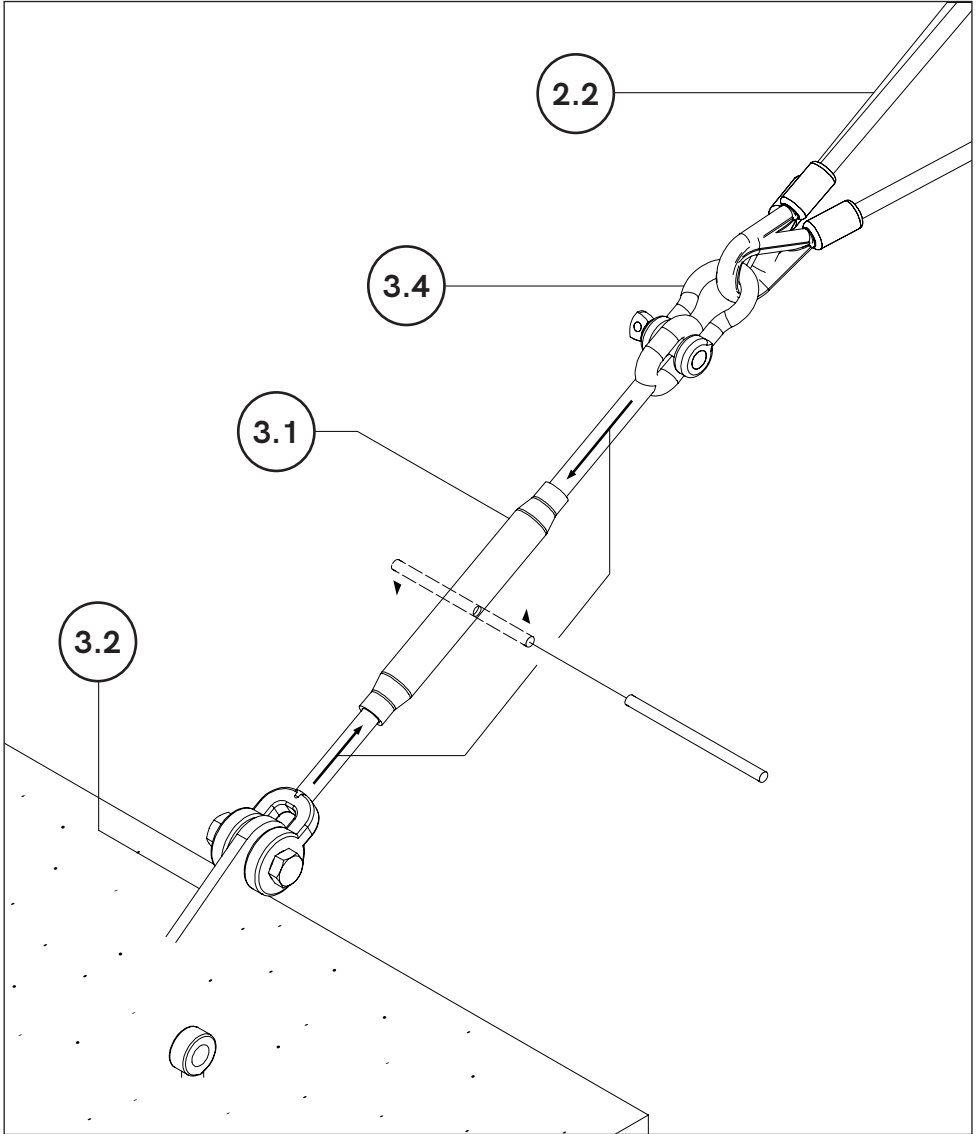
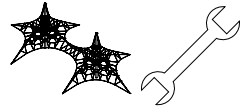
7 x 24h



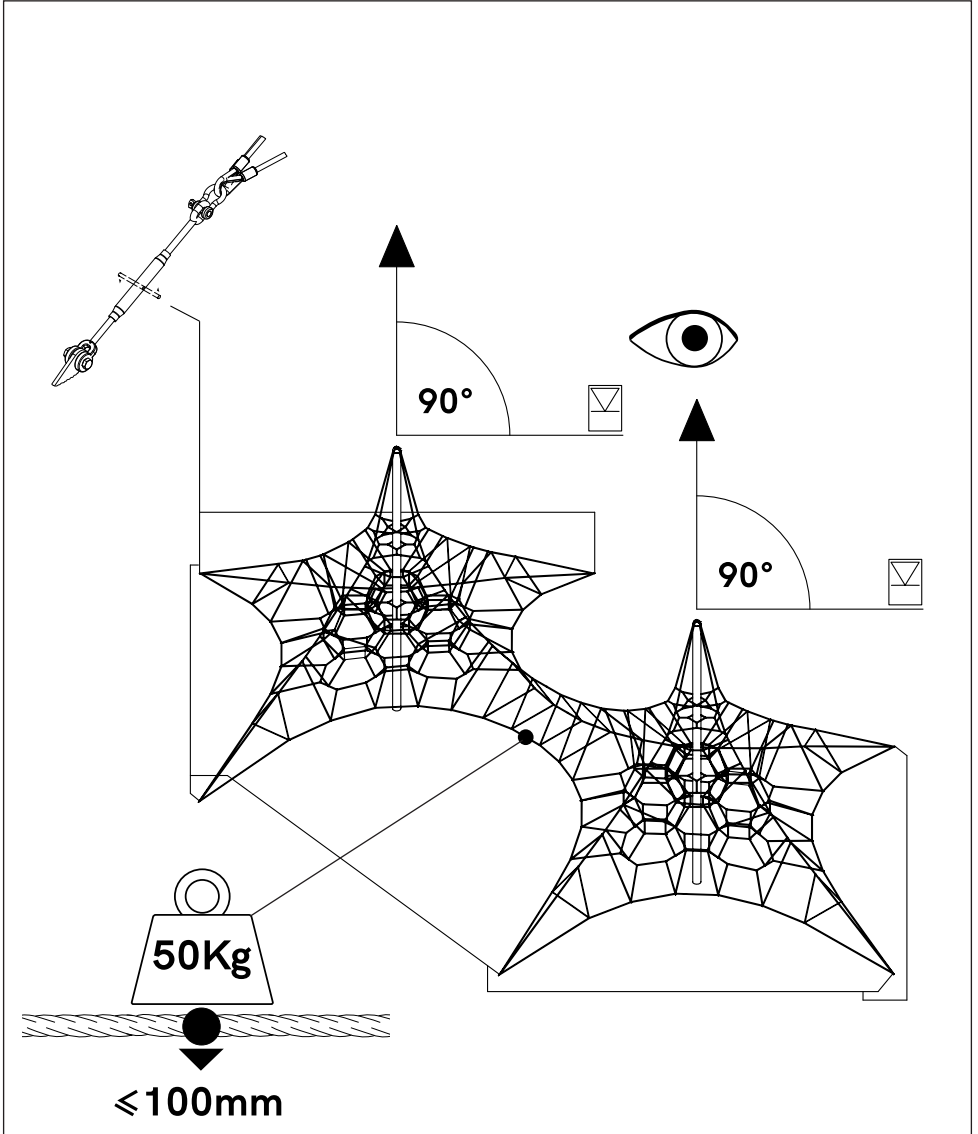
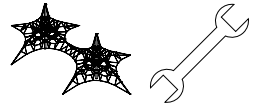


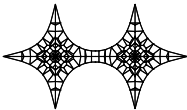
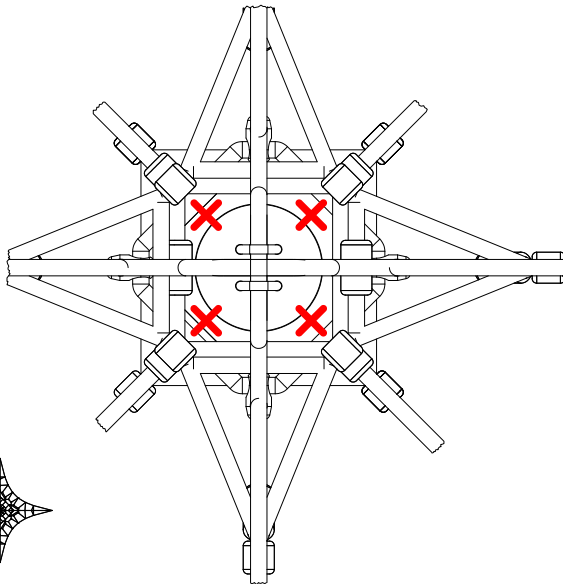
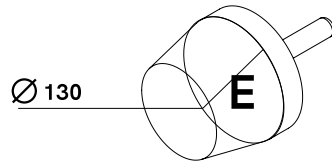
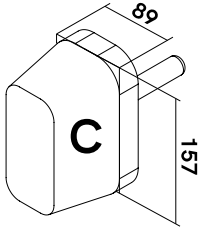
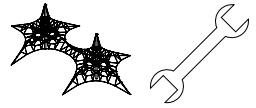


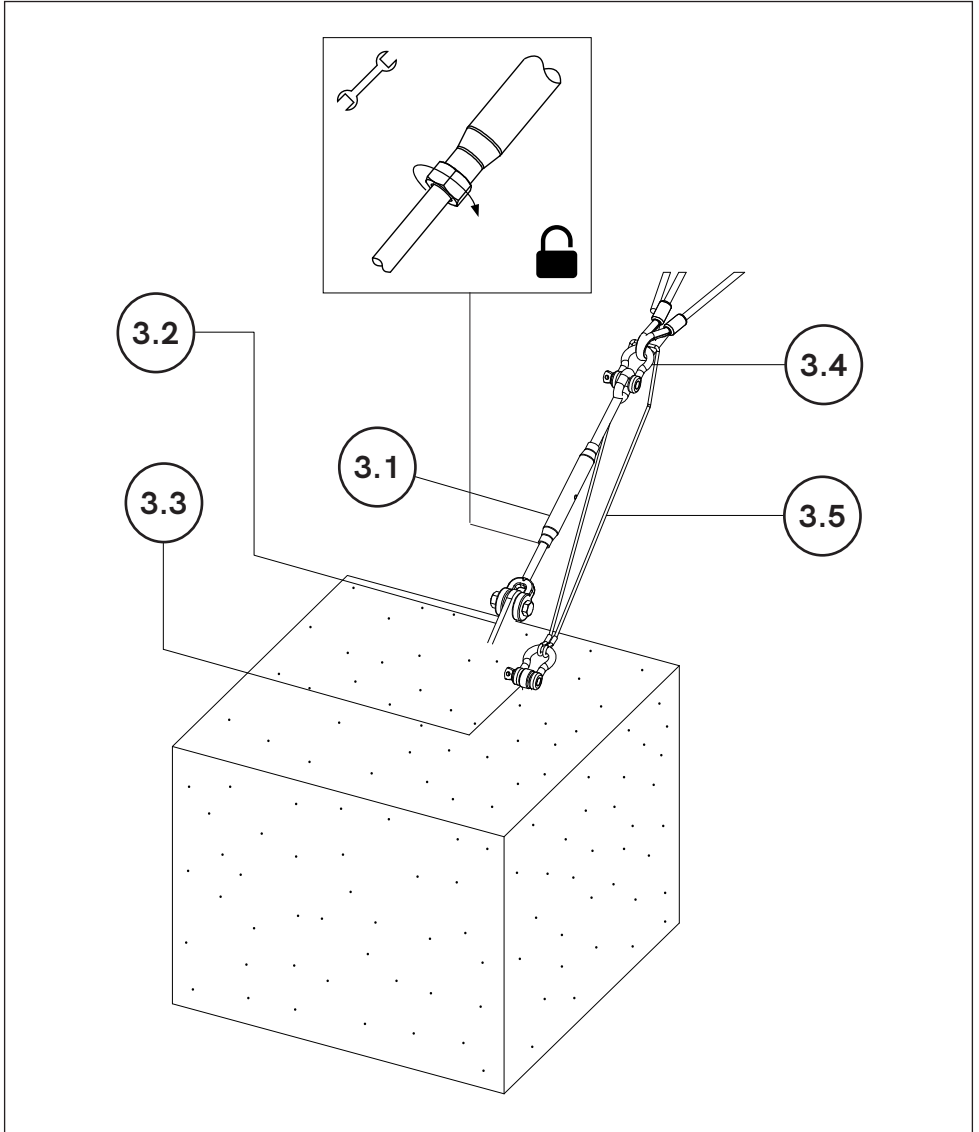
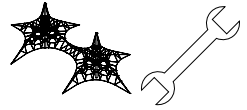


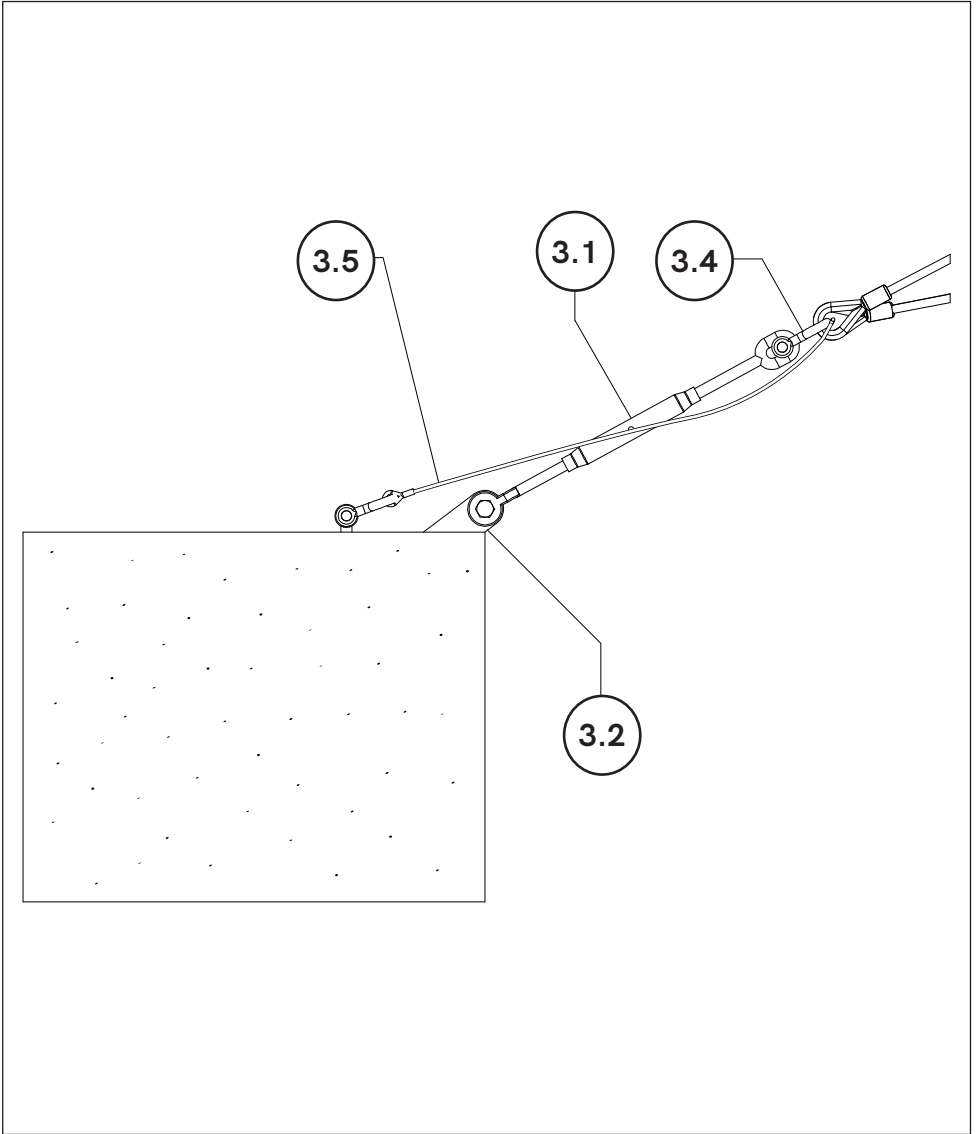
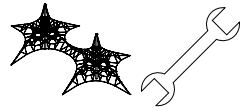


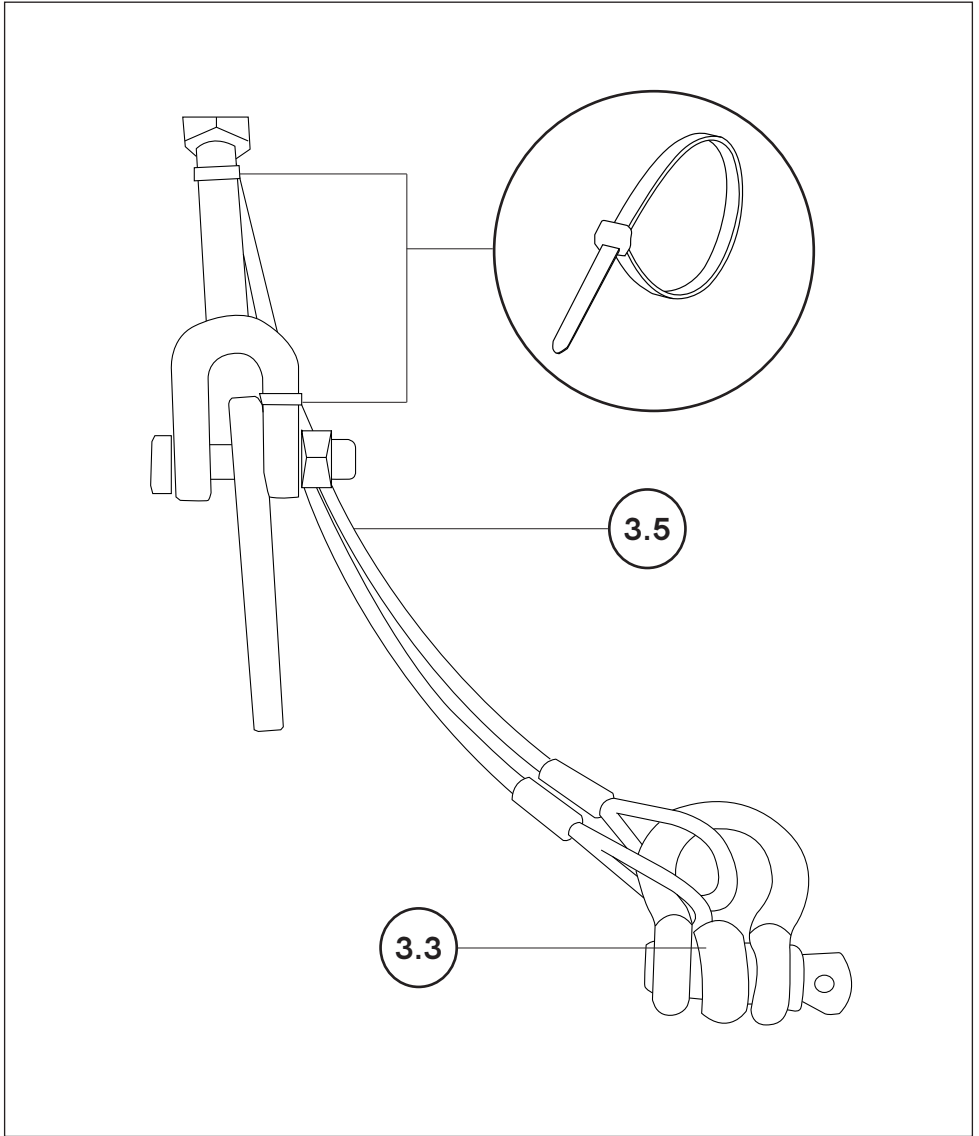
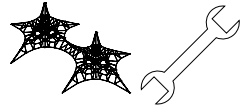
3

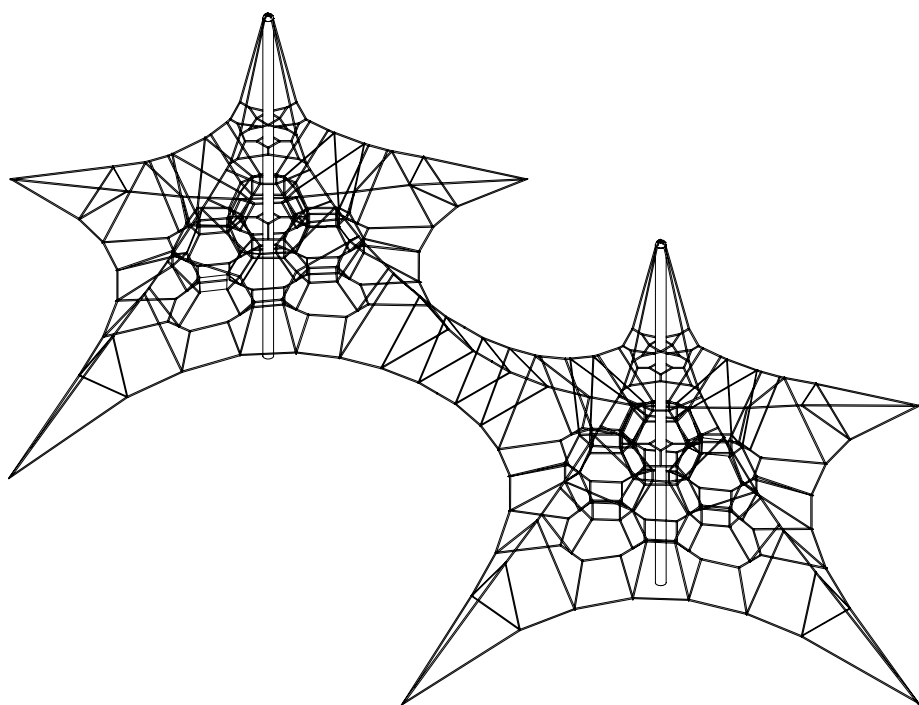














Tayplay Ltd

13A Riverview Business Park
Friarton Road
Perth
PH2 8DF
Scotland

Tel: +44 (0) 1738 449 084
Fax: +44 (0) 1738 449 094
Email: info@tayplay.com
Web: www.tayplay.com

